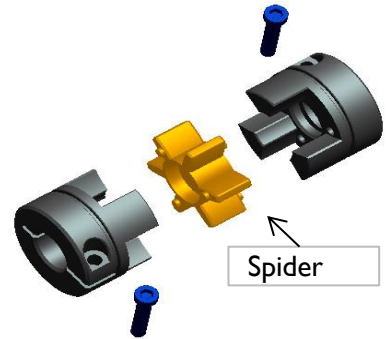
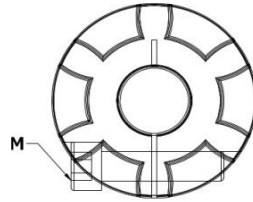
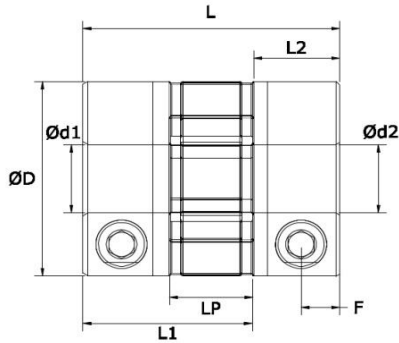




Jaw Shaft Coupling

- Bi-directional loading
- Shock Absorber
- Shaft End-play
- High Load Capacity



**Ordering: Model#-bore1kw-Bore2kw
JC1422-5mmkw-1/2"kw**

JC SETSCREW AND CLAMP DIMENSIONS

Model	Bore Max (Ød1-Ød2)		ØD	L	L1	L2	spider thickness LP	F	M		Wrench Torque
	inch	mm							setscrew	Clamp	
			mm	mm	mm	mm	metric	metric			Nm
JC1422	0.25	6.3	14	22	14.3	7.7	6.6	3.8	M3	M2.5	0.8
JC2025	0.39	10	20	25	16.7	8.1	8.6	4.6	M3	M3	1.2
JC2030	0.39	10	20	30	19.3	10.7	8.6	5.4	M3	M3	1.2
JC2530	0.47	12	25	30	20.8	9.2	11.6	4.6	M4	M4	2.5
JC2534	0.47	12	25	34	22.8	11.2	11.6	5.6	M4	M4	2.5
JC3035	0.63	16	30	35	23.0	12.1	10.9	5.9	M8	M4	2.5
JC3040	0.63	16	30	40	25.0	14.1	10.9	7	M8	M4	2.5
JC4050	0.94	24	40	50	32.1	18.4	13.7	6.7	M8	M5	5
JC4055	0.94	24	40	55	34.5	20.8	13.7	7.2	M10	M5	5
JC4066	0.94	24	40	66	40.0	26.3	13.7	8	M10	M5	5
JC5549	1.26	32	55	49	32.0	15.9	16.1	6.5	M10	M6	8
JC5578	1.26	32	55	78	46.4	30.3	16.1	10.3	M10	M6	8
JC6580	1.57	40	65	80	48.5	31.8	16.7	14	M10	M8	20
JC6590	1.57	40	65	90	53.5	36.8	16.7	11.9	M10	M8	20
JC80114	1.77	45	80	114	68.0	45.5	22.5	15.5	M10	M8	20
JC95126	2.17	55	95	126	74.5	50.5	24	15	M10	M10	40
JC105x140	2.36	60	105	140	83.2	56.8	26.4	21	M10	M10	40
JC120x160	2.56	65	95	126	93.7	66.3	27.4	26	M12	M12	75

Technical Data

Model	Rated Torque		Max RPM		Dynamic Torsional	Radial	Weight	moment of
	Nm		Set Screw	Clamp	Stiffness Nm/rad	Stiffness N/mm	g	Inertia kgcm ²
JC1422	80 Shore A	1.8	28000	22500	52	125	10	0.011
	92 Shore A	3	28000	22500	95	262	10	0.011
	98 Shore A	5	28000	22500	155	518	10	0.011
JC2025	80 Shore A	1.8	15900	12700	180	153	15	0.062
	92 Shore A	3	15900	12700	344	336	15	0.062
	98 Shore A	5	15900	12700	513	604	15	0.062
JC2030	80 Shore A	4.9	11900	9550	1030	582	19	0.39
	92 Shore A	10	11900	9550	1720	1120	19	0.39
	98 Shore A	17	11900	9550	2580	2010	33	0.39
JC2534	92 Shore A	35	8850	6950	4296	1480	33	1.6
	98 Shore A	60	8850	6950	6189	2560	42	1.6
JC3035	92 Shore A	95	7350	5850	6876	1780	42	3.8
	98 Shore A	160	7350	5850	10314	3200	42	3.8
JC3040	92 Shore A	190	5950	4750	13752	2350	60	10
	98 Shore A	325	5950	4750	21486	4400	60	10
JC4050	92 Shore A	265	5000	4000	14490	2430	115	22.8
	98 Shore A	450	5000	4000	48000	5570	115	22.8
JC4055	92 Shore A	310	4550	3600	18055	2580	127	46
	98 Shore A	525	4550	3600	55925	5930	127	46
JC4066	92 Shore A	410	3950	3150	21850	2980	154	85.25
	98 Shore A	685	3950	3150	59500	6686	154	85.25
JC5549	92 Shore A	310	4550	3600	18055	2580	241	46
	98 Shore A	525	4550	3600	55925	5930	241	46
JC5578	92 Shore A	410	3950	3150	21850	2980	341	85.25
	98 Shore A	685	3950	3150	59500	6686	341	85.25
JC6580	92 Shore A	410	3950	3150	21850	2980	433	85.25
	98 Shore A	685	3950	3150	59500	6686	433	85.25
JC6590	92 Shore A	410	3950	3150	21850	2980	583	85.25
	98 Shore A	685	3950	3150	59500	6686	583	85.25
JC80114	92 Shore A	410	3950	3150	21850	2980	1000	85.25
	98 Shore A	685	3950	3150	59500	6686	1000	85.25
JC95126	92 Shore A	410	3950	3150	21850	2980	1650	85.25
	98 Shore A	685	3950	3150	59500	6686	1650	85.25
JC105X140	92 Shore A	420	3950	3150	21850	2980	1000	85.25
	98 Shore A	510	3950	3150	59500	6686	1000	85.25
JC120X160	92 Shore A	520	3950	3150	24000	2980	1650	85.25
	98 Shore A	600	3950	3150	59500	6686	1650	85.25

Shaft Sleeve: Aluminum, Anodize

Eleastomer: Polyurethane