



Metric Hollow or Solid Shaft

Spiral Bevel Mini-Gearbox :

10mm Hollow or 14mm solid shaft

- ◆ 5, 12 Nm, 3 Arcmin
- ◆ Ratio 1:1, 1:2, 2:1
- ◆ 416 Stainless Steel (Electro-plated)
- ◆ Heat treated and Lapped Gears (low noise and reduced backlash)
- ◆ Double Lip Oil Seal (wash-down)
- ◆ High load roller Bearing (Radial and Axial)
- ◆ 13 month warranty

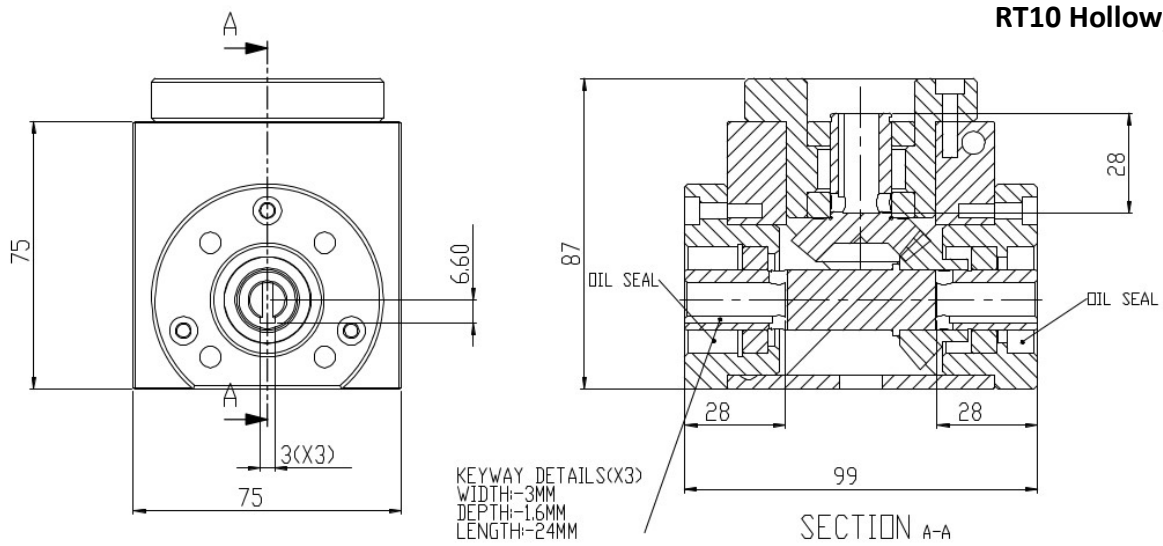


3-Shaft or Right-angle (Inch shaft option)

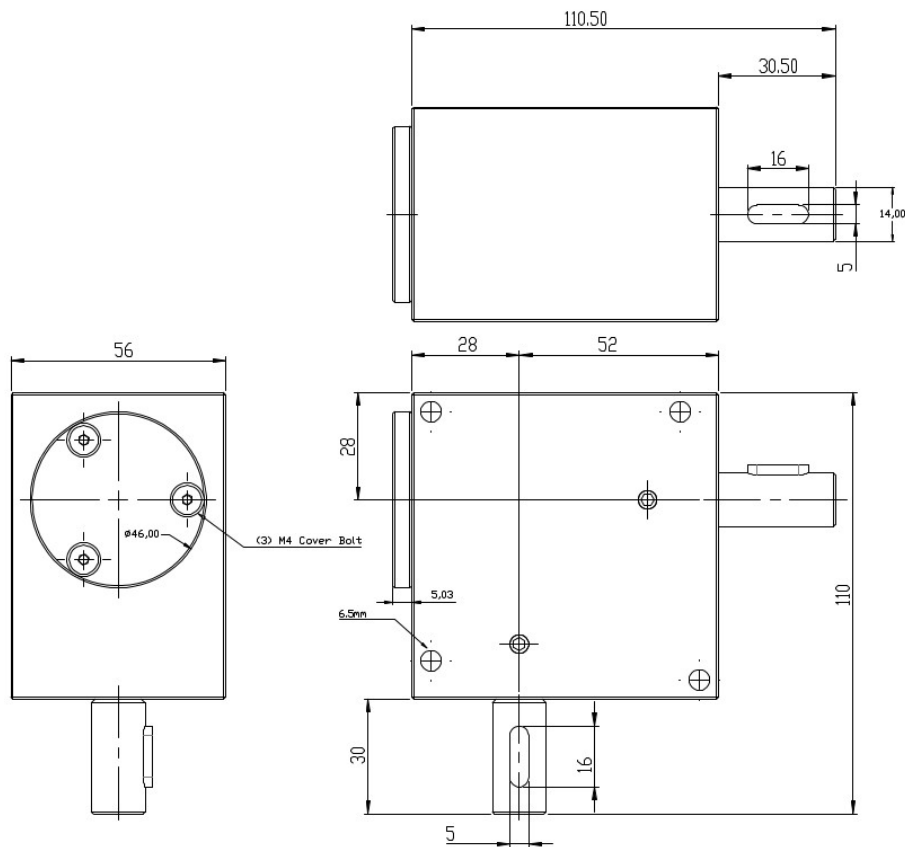
Spiral Bevel Gearbox :

18,22 and 32mm solid shaft

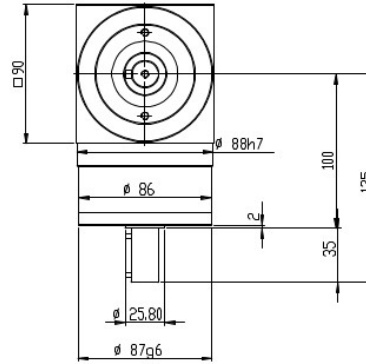
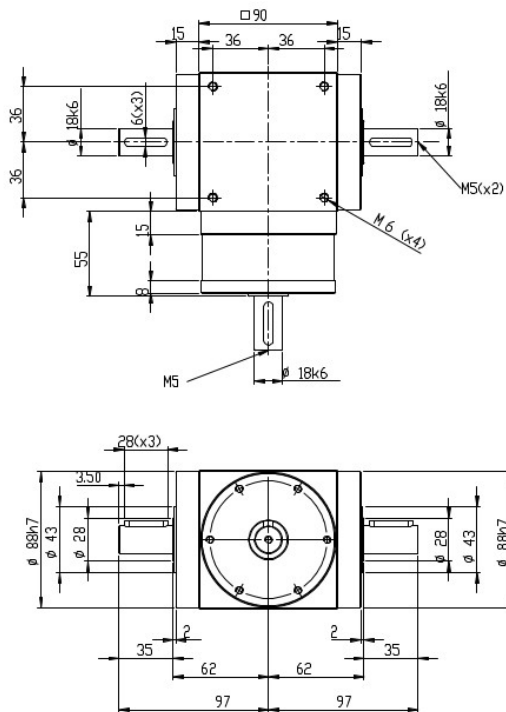
- ◆ 80-260 Nm, 5 Arcmin
- ◆ Ratio 1:1, 2:1, 3:1, 1:3, 1:2
- ◆ 416 Stainless Steel, Carbon Steel, Cast Iron
- ◆ Heat treated and Lapped Gears (low noise and reduced backlash)
- ◆ Double Lip Oil Seal (wash-down)
- ◆ High load roller Bearing (Radial and Axial)
- ◆ 13 month warranty



Torque 5 Nm, 2000 rpm

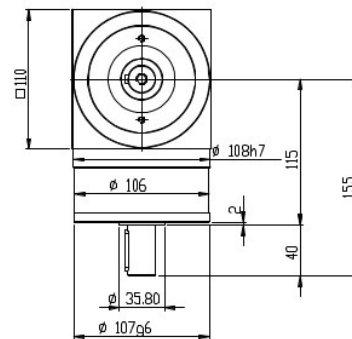
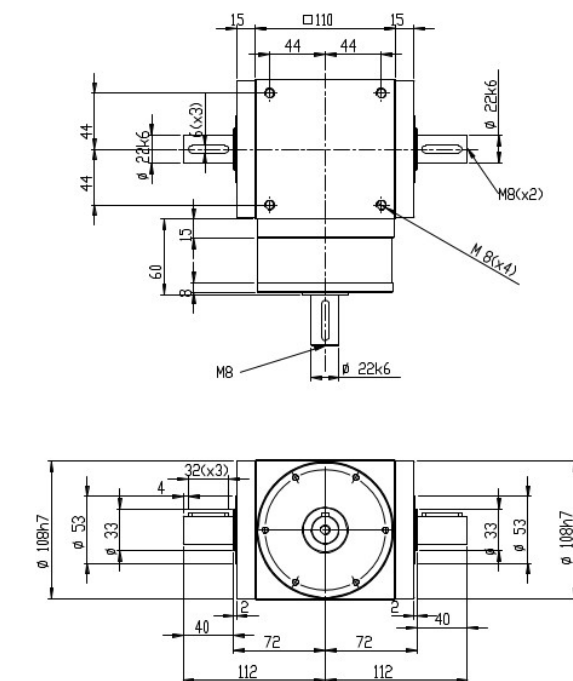


Torque 12 Nm, 2000 rpm

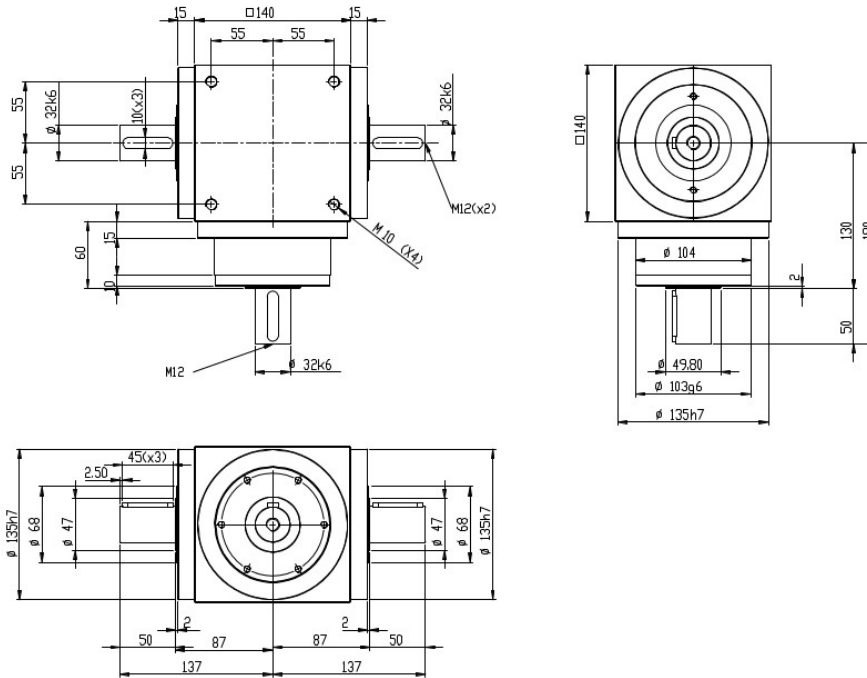


RT/RTT 18

Model	Shaft Diameter (mm)	Torque Nm(3000 rpm) Ratio 3/2/1	Backlash Arcmin	Radial Load N	Axial Load N	Inertia Kg.cm ²
RT18/RTT18	18	50/65/75	6	1450	725	3.16
RT22/RTT22	22	120/150/150	7	2100	1050	7.7
RT32/RTT32	32	270/330/360	7	2700	1350	17.06



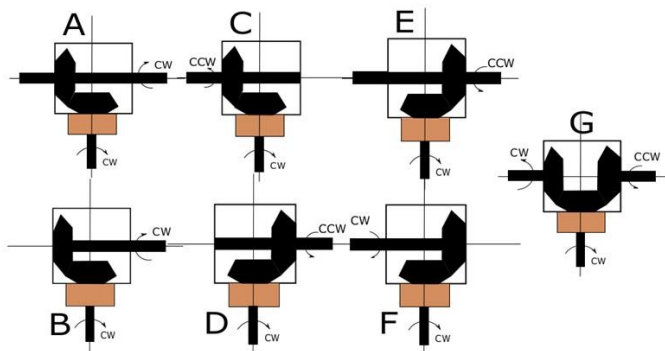
RT/RTT 22



Model	Shaft Diameter (mm)	Torque Nm(3000 rpm) Ratio 3/2/1	Backlash Arcmin	Radial Load N	Axial Load N	Inertia Kg.cm2
RT18/RTT18	18	50/65/75	6	1450	725	3.16
RT22/RTT22	22	120/150/150	7	2100	1050	7.7
RT32/RTT32	32	270/330/360	7	2700	1350	17.06

Spiral Bevel Gearbox Part Number and Ordering Information:

RTT18-A-S1:2



RT = Right-angle

RTT= 3 Shaft style

A,B,C,..= Output Shaft Rotation

Ratio Reducer: 1:1, 1:2, 1:3, 1:4, 1:5

Ratio Increaser: S1:2, S1:3, S1:4, S1:5